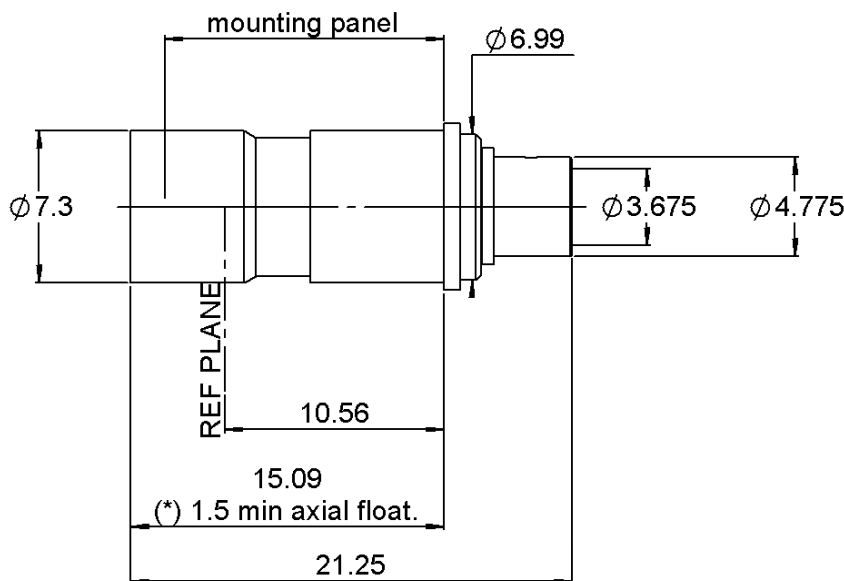


**STRAIGHT CLIP-ON FLOATING JACK**

**R128.296.710**

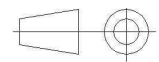
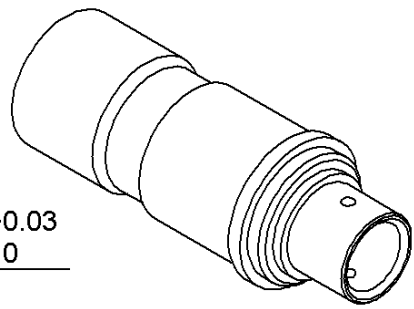
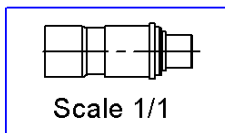
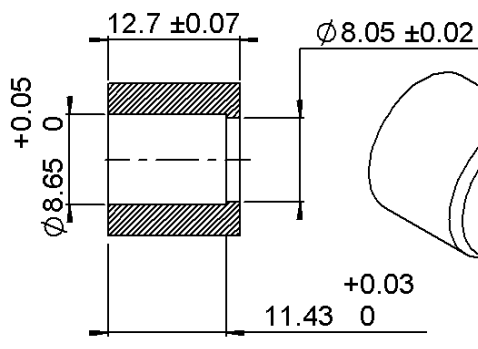
**SOLDER TYPE - CABLE .141**

Series : **BMA**



(\*) Recommended axial float mount for best electrical performance:  
 $0.51 \pm 0.25$  mm  
 $[\.020 \pm \.010$  in]

**PANEL DRILLING**



All dimensions are in mm.

COMPONENTS	MATERIALS	PLATING (µm)
BODY	STAINLESS STEEL	GOLD 0.5 OVER NICKEL 2
CENTER CONTACT	BERYLLIUM COPPER	GOLD 1.3 OVER NICKEL 2
OUTER CONTACT	BERYLLIUM COPPER	NPGR
INSULATOR	PTFE	
GASKET		
OTHERS PARTS	BERYLLIUM COPPER	NICKEL 2
-	-	-
-	-	-

Issue : 1444 A

In the effort to improve our products, we reserve the right to make changes judged to be necessary.



**STRAIGHT CLIP-ON FLOATING JACK**

**R128.296.710**

**SOLDER TYPE - CABLE .141**

Series : **BMA**

**PACKAGING**

Standard	Unit	Other
<b>100</b>	-	<b>Contact us</b>

**SPECIFICATION**

**ELECTRICAL CHARACTERISTICS**

Impedance	<b>50</b>	$\Omega$
Frequency	<b>0-22</b>	GHz
VSWR	<b>1.05 + 0.0100</b>	x F(GHz) Maxi
Insertion loss	<b>.03</b>	$\sqrt{F}$ (GHz) dB Maxi
RF leakage	- ( <b>90</b> )	- F(GHz) dB Maxi
Voltage rating	<b>500</b>	Veff Maxi
Dielectric withstanding voltage	<b>1500</b>	Veff mini
Insulation resistance	<b>5000</b>	M $\Omega$ mini

**CABLE ASSEMBLY**

Stripping	a	b	c	d	e	f
mm	2.16	0.00	0.00	0.00	0.00	0.00

Assembly instruction :

Recommended cable(s)  
KS 2

Characteristics indicated on this data sheet are those that can be achieved with the highest performance cable. Intrinsic limitations of the cable may diminish the performance of the assembly

Cable retention

- pull off **272** N mini
- torque **N** N.cm

**MECHANICAL CHARACTERISTICS**

Center contact retention		
Axial force – Mating end	<b>27</b>	N mini
Axial force – Opposite end	<b>27</b>	N mini
Torque	<b>NA</b>	N.cm mini

**TOOLING**

Part Number	Description	Hexagon
R282053000	STRIPPING TOOL	
R282066000	POINTER GAUGE	
R282740000	SOLDERING MOUNTING	
R282860130	SOLDER POSITIONER BMA	

Recommended torque		
Mating	<b>NA</b>	N.cm
Panel nut	<b>NA</b>	N.cm
Clamp nut	<b>NA</b>	N.cm
A/F clamp nut	<b>0.0000</b>	mm

Mating life	<b>1000</b>	Cycles mini
Weight	<b>2.5700</b>	g

**OTHER CHARACTERISTICS**

**ENVIRONMENTAL**

Operating temperature	<b>-65/+125</b>	$^{\circ}$ C
Hermetic seal	<b>NA</b>	Atm.cm3/s
Panel leakage	<b>NA</b>	

Issue : 1444 A

In the effort to improve our products, we reserve the right to make changes judged to be necessary.



**STRAIGHT CLIP-ON FLOATING JACK**

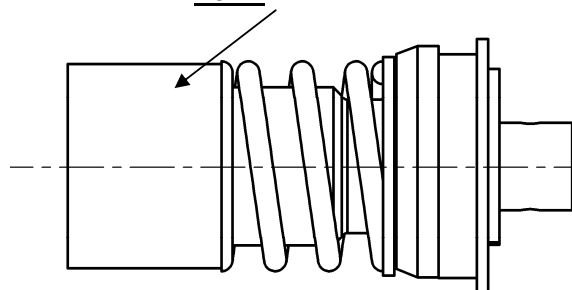
**R128.296.710**

**SOLDER TYPE - CABLE .141**

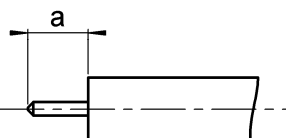
Series : **BMA**

**COMPONENT**

**BODY**

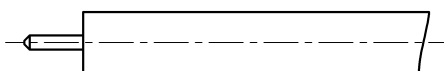


**STRIPPING DIMENSION**



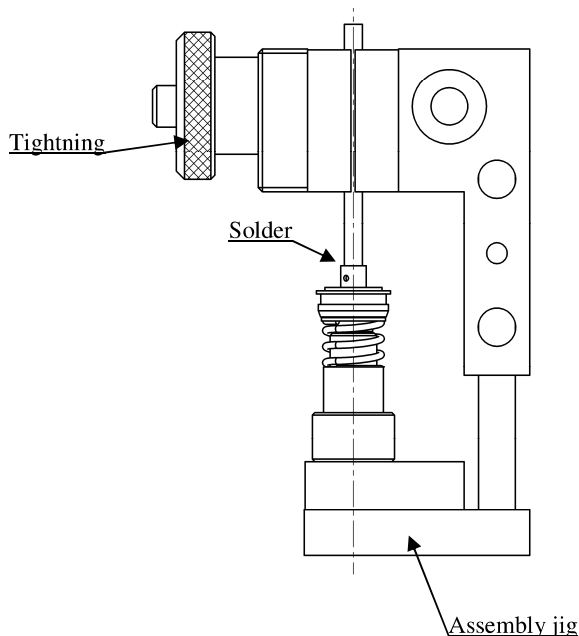
**1**

- Strip the cable with the cable stripping tool.
- Trim the cable inner conductor with the trimmer.
- Clean the cable



**2**

- Introduce the cable into the body until contact with the body shoulder.
- Place the sub-assembly on assembly jig with the positioner and tighten it.
- Solder body on the cable.
- Let assembly cool down before removing it from the jig.



**Issue : 1444 A**

In the effort to improve our products, we reserve the right to make changes judged to be necessary.

